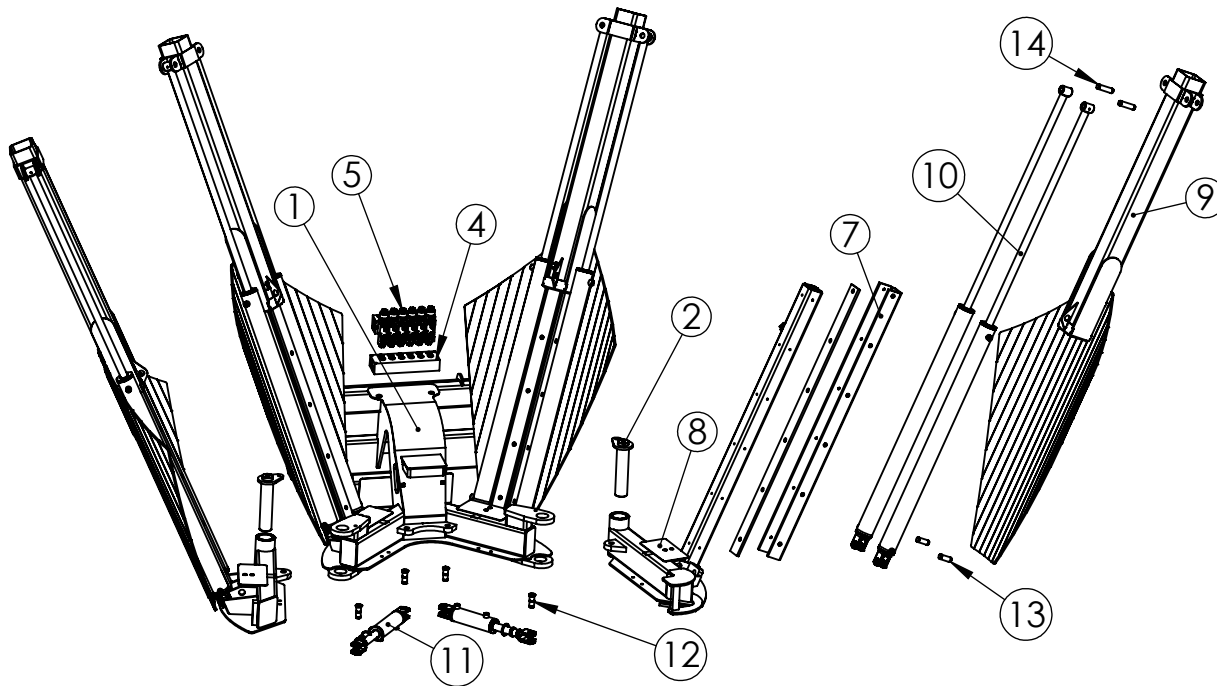


ITEM NO.	PART NUMBER	DESCRIPTION	QTY.
1	D002308	Main Weldment	1
2	D002277	2.5" flange pin for Holt 48 & 50	2
3	D002308	HOOKUP ASSEM	1
4	D002189	Aluminum Manifold MB3754A	1
5	D001312	6 spool valve bank	1
6	D002306	left holder	1
7	D002318	plastic strip	16
8	HOLT50S-16	T cover plate	4
9	D002307	Blade Assembly	4
10	D002187	Cylinder, 3x1.5x48	8
11	D002182	Cylinder, S1024	2
12	P2022	1 x 2.25" Swing snap ring pin, greaseable	4
13	P2023	1x2.25 Snap Ring Pin	8
14	D002297	1 x 3.3 Snap Ring Pin (Holt)	8



PROPRIETARY AND CONFIDENTIAL
 THE INFORMATION CONTAINED IN THIS DRAWING IS THE SOLE PROPERTY OF MTB MFG INC. ANY REPRODUCTION IN PART OR AS A WHOLE WITHOUT THE WRITTEN PERMISSION OF MTB MFG INC IS PROHIBITED.



Description

Weight lbs.

DATE
4/14/2014

DWG. NO.
HOLT50S

REV
A

DO NOT SCALE DRAWING

SCALE: 1:100 SHEET 1 OF 1