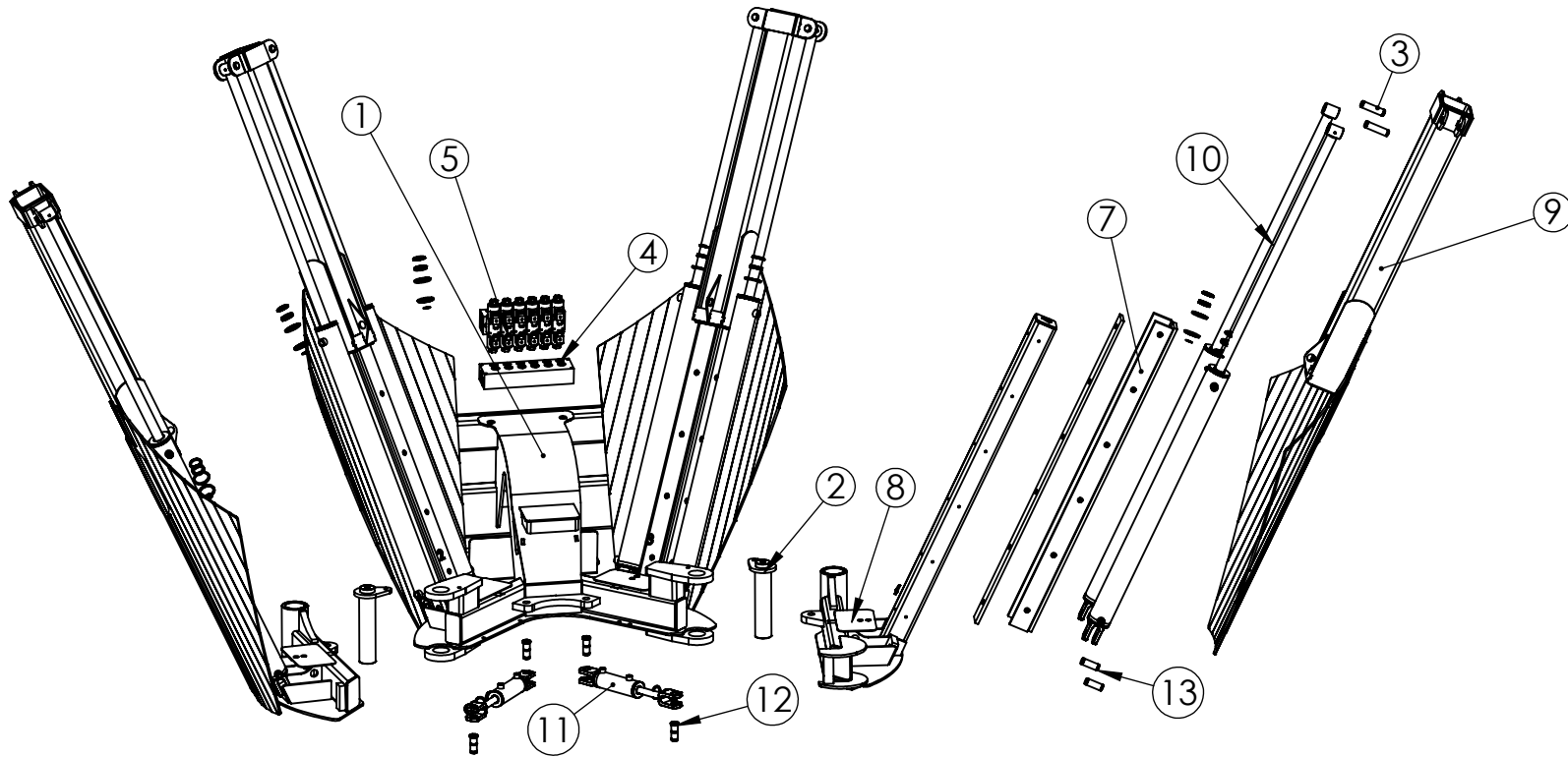


ITEM NO.	PART NUMBER	DESCRIPTION	QTY.
1	D002275	Main Weldment	1
2	D002277	2.5" flange pin for Holt 48 & 50	2
3	D002297	1 x 3.3 Snap Ring Pin (Holt)	8
4	D002189	Aluminum Manifold MB3754A	1
5	D001312	6 spool valve bank	1
6	D002273	left holder	1
7	D002288	48S plastic strip	16
8	HOLT48S-17	T cover plate	4
9	D002274	Blade Assembly	4
10	D002186	Cylinder, 3x1.5x40	8
11	D002181	Cylinder, 2" x 1" x 8"	2
12	P2022	1 x 2.25" Swing snap ring pin, greaseable	4
13	P2023	1x2.25 Snap Ring Pin	8



PROPRIETARY AND CONFIDENTIAL

THE INFORMATION CONTAINED IN THIS DRAWING IS THE SOLE PROPERTY OF MTB MFG INC. ANY REPRODUCTION IN PART OR AS A WHOLE WITHOUT THE WRITTEN PERMISSION OF MTB MFG INC IS PROHIBITED.



Description

main assem

Weight
lbs.

DATE
4/4/2014

DWG. NO.

REV
A

DO NOT SCALE DRAWING

SCALE: 1:100 SHEET 1 OF 1

HOLT48S