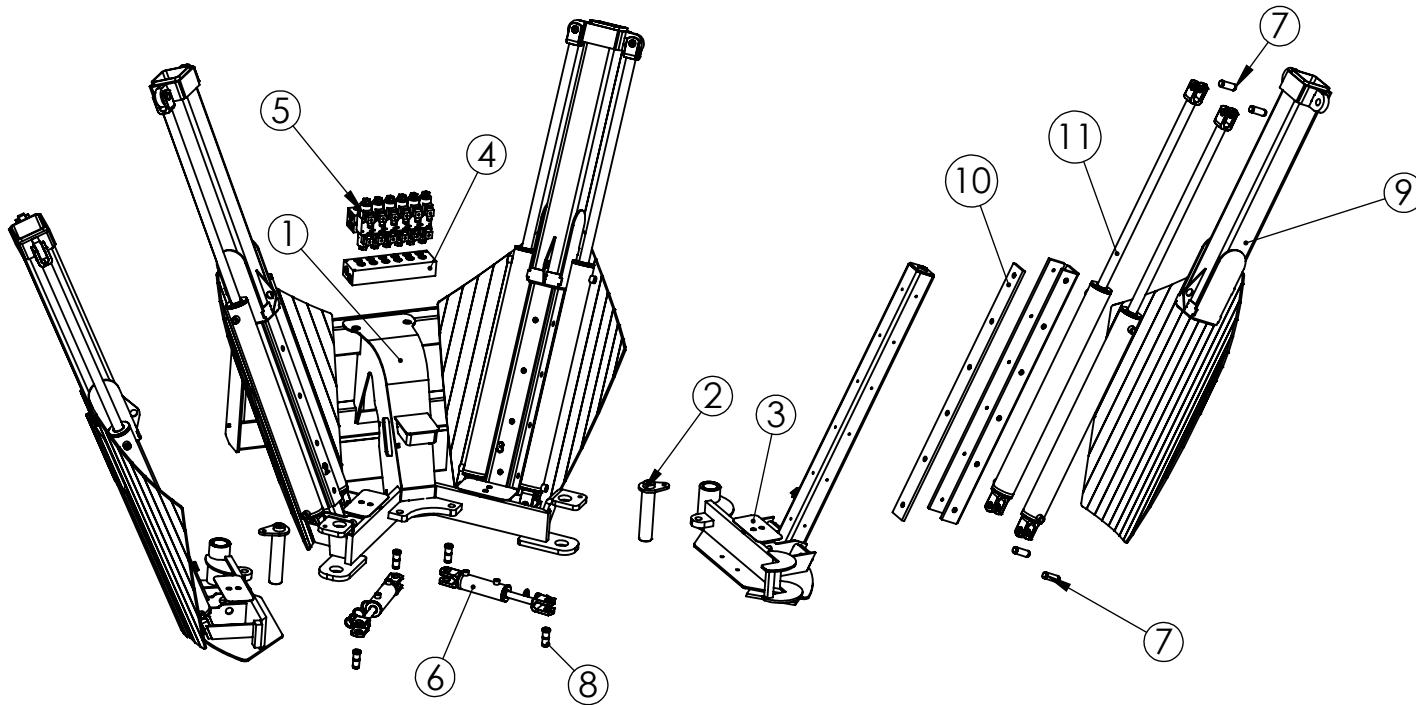


| ITEM NO. | PART NUMBER | DESCRIPTION                               | QTY. |
|----------|-------------|---|------|
| 1        | D002267     | Main Weldment                             | 1    |
| 2        | D002232     | 2 x 8.75" flange pin                      | 2    |
| 3        | HOLT44S-13  | T cover plate                             | 4    |
| 4        | D002189     | Aluminum Manifold MB3754A                 | 1    |
| 5        | D001312     | 6 spool valve bank                        | 1    |
| 6        | D002181     | Cylinder, 2" x 1"x 8"                     | 2    |
| 7        | P2023       | 1x2.25 Snap Ring Pin                      | 16   |
| 8        | P2022       | 1 x 2.25" Swing snap ring pin, greaseable | 4    |
| 9        | D002266     | Blade Assembly                            | 4    |
| 10       | D005506     | 44S plastic strip                         | 16   |
| 11       | D002185     | Cylinder, 3x1.5x32                        | 8    |



**PROPRIETARY AND CONFIDENTIAL**

THE INFORMATION CONTAINED IN THIS DRAWING IS THE SOLE PROPERTY OF MTB MFG INC. ANY REPRODUCTION IN PART OR AS A WHOLE WITHOUT THE WRITTEN PERMISSION OF MTB MFG INC IS PROHIBITED.



Description

Weight lbs.

DATE  
3/31/2014

DWG. NO.

REV  
A

DO NOT SCALE DRAWING

SCALE: 1:50

SHEET 1 OF 1

**HOLT44S**