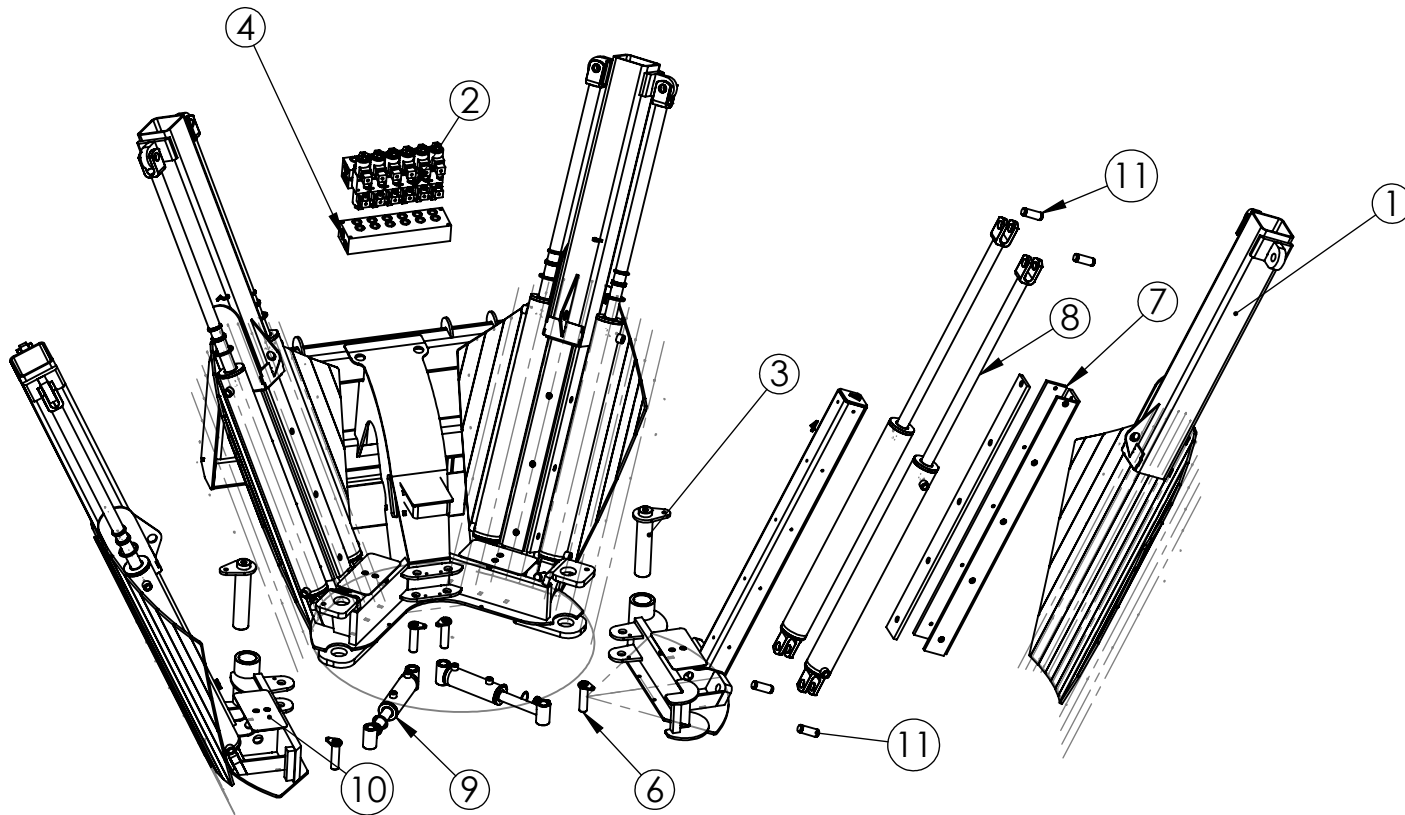


ITEM NO.	PART NUMBER	DESCRIPTION	QTY.
1	D002219	Spade Assembly	4
2	D001312	6 spool valve bank	1
3	D002232	2 x 8.75" flange pin	2
4	D002189	Aluminum Manifold MB3754A	1
5	D002222	Spade/Cylinder sub-Assembly	4
6	D002046	1 x 3.75" Flange Pin	4
7	D002223	Nylatron for HOLT38S (need 4 pcs per spade)	16
8	D002184	Cylinder, 3x1.5x28	8
9	D002210	Cylinder, 2" x 1-1/4" x 4	2
10	Holt38S-45	T cover plate	4
11	P2023	1x2.25 Snap Ring Pin	16



PROPRIETARY AND CONFIDENTIAL

THE INFORMATION CONTAINED IN THIS DRAWING IS THE SOLE PROPERTY OF MTB MFG INC. ANY REPRODUCTION IN PART OR AS A WHOLE WITHOUT THE WRITTEN PERMISSION OF MTB MFG INC IS PROHIBITED.



Description

Weight lbs.

DATE
3/13/2014

DWG. NO.
HOLT38S

REV
A

DO NOT SCALE DRAWING

SCALE: 1:50 SHEET 1 OF 1