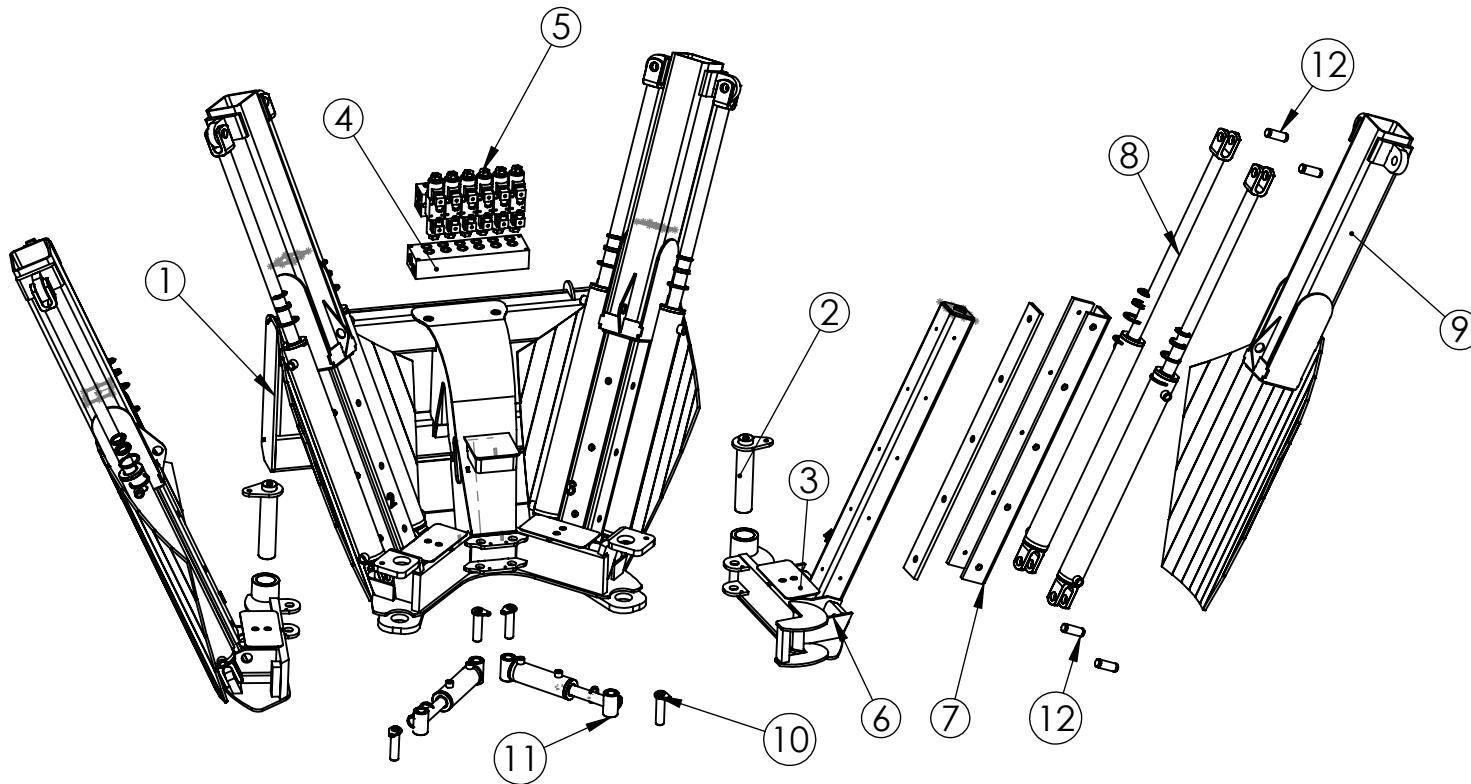


ITEM NO.	PART NUMBER	DESCRIPTION	QTY.
1	Holt34s	Main Weldment	1
2	D002232	2 x 8.75" flange pin	2
3	Holt34s-45	T cover plate	4
4	D002189	Aluminum Manifold MB3754A	1
5	D001312	6 spool valve bank	1
6	D002240-1	Spade arm swing assembly	4
7	D002247	Plastic Strip	16
8	D002183	Cylinder, 2.5x1.5x24	8
9	D002238	Spade Assembly	4
10	D002046	1 x 3.75" Flange Pin	4
11	D002211	Cylinder, 2" x 1-1/4" x 4	2
12	P2023	1x2.25 Snap Ring Pin	16



PROPRIETARY AND CONFIDENTIAL

THE INFORMATION CONTAINED IN THIS DRAWING IS THE SOLE PROPERTY OF MTB MFG INC. ANY REPRODUCTION IN PART OR AS A WHOLE WITHOUT THE WRITTEN PERMISSION OF MTB MFG INC IS PROHIBITED.



Description

Weight
lbs.

DATE
5/01/2015

DWG. NO.

REV
A

DO NOT SCALE DRAWING

SCALE 1:23

SHEET 1 OF 1

HOLT34S

5

4

3

2

1