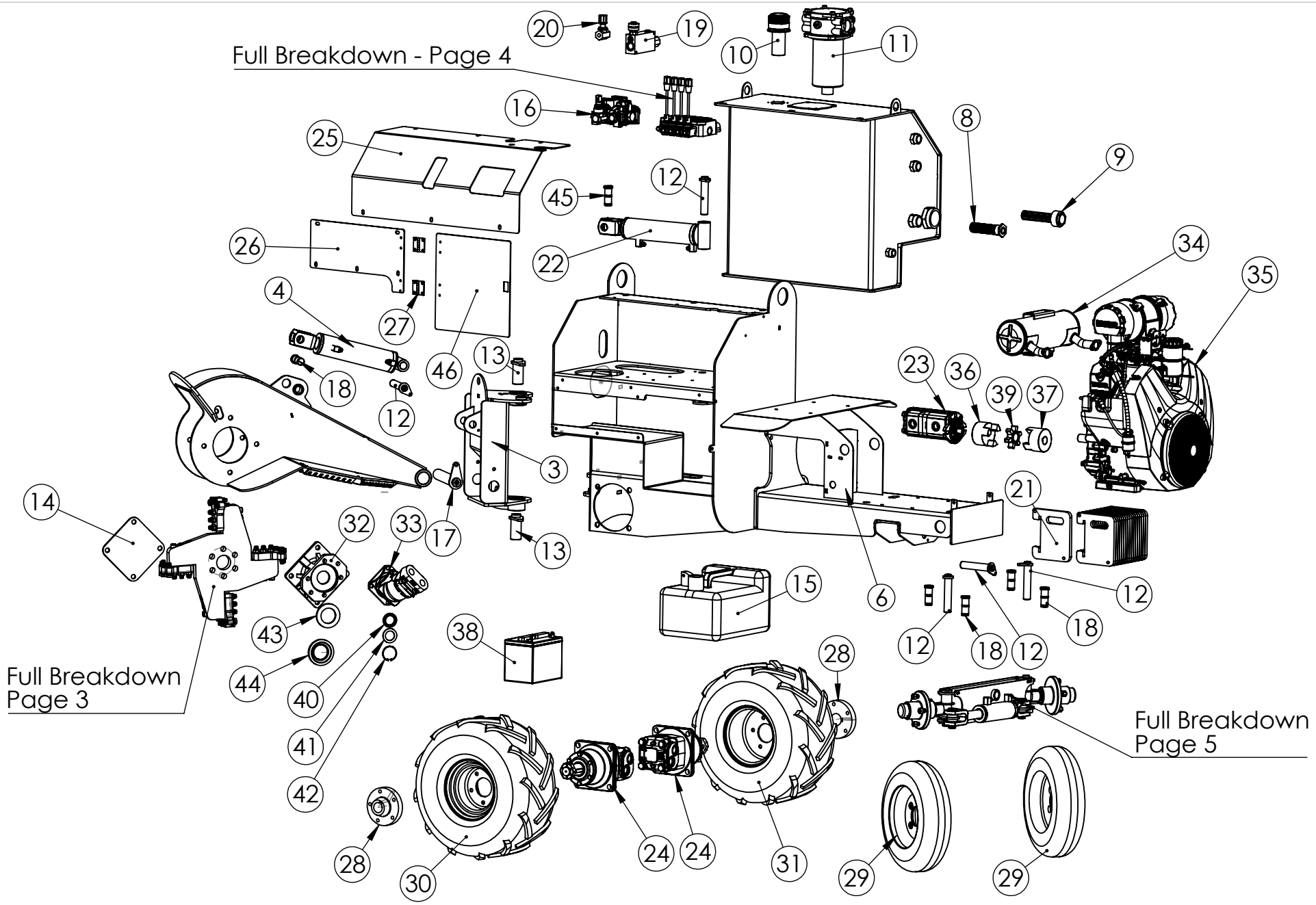


Full Breakdown - Page 4



Full Breakdown Page 3

Full Breakdown Page 5

**PROPRIETARY AND CONFIDENTIAL**  
 THE INFORMATION CONTAINED IN THIS DRAWING IS THE SOLE PROPERTY OF MTB MFG INC. ANY REPRODUCTION IN PART OR AS A WHOLE WITHOUT THE WRITTEN PERMISSION OF MTB MFG INC IS PROHIBITED.



Description		DATE		DWG. NO.	REV
Weight lbs.		1/29/2013			
DO NOT SCALE DRAWING		SCALE: 1:100	SHEET 1 OF 5	<b>HGW30-A2</b>	<b>A</b>

ITEM NO.	PART NUMBER	DESCRIPTION	QTY.
1	D001929	Main Body weldment	1
2	D001916		1
3	D001914	Swing channel	1
4	T1002	Hydraulic cylinder	1
5	D001915		1
6	D001931	Front Chassey	1
7	D001959	Tank	1
8	D002200	TMS-5	1
9	D002201	TMS-25	1
10	D002207	Breather filler cap TA80-B10-B001	1
11	D002198 old	Filter Assembly -434027	1
12	D001028	1 x 5" Flange Pin	5
13	D001974	1.5 x 3 flange pin assembly	2
14	HGW30R-47	Rotor access plate	1
15	D001963	Gas Tank for trailer spade	1
16	D002197	Rotor valve (30 Hp) manual single spool with handle	1
17	D001948	1.5 x 8.125 flange pin assembly	1
18	P2022	1 x 2.25" Swing snap ring pin, greaseable	5
19	D002069	0 GPM Flow Control	1
20	D002080	Panel mount traction control (DV-08-01.X/5)	1
21	Weight	Weight	18
22	T1002	Hydraulic cylinder	1
23	D002196	Double pump for 30 Hp	1
24	D001936	Wheel motor	2
25	HGW30R-49	Valve bank closer	1
26	HGW30R-50	Crown	1
27	G2012	Mini Stainless Hinge	2
28	D001938	Motor mounted 5-bolt wheel hub	2
29	G2017	Tire & Rim 16"	2
30	D002933	46430R (Right) 20x10.00-8 Super Lug 4ply (1200 lbs. capacity)	1
31	D002809	46430L (Left) 20x10.00-8 Super Lug 4ply (1200 lbs. capacity)	1
32	D002251	Bearing Support - MDB-40 (MDH40B113F1)	1
33	D001844	C510 Motor part (34cc)	1
34	D002205	2406818 Muffler kit for CH940 Kohler	1
35	D002204	30 Hp CH940 with HD air cleaner and 62 376 02 controls	1
36	D002194	Flex Hub L110 5/8"	1
37	D002195	Flex Hub L110 1-1/8"	1
38	D001171	250 CCA Battery	1
39	B2013	L110 Flex	1
40	D001366	High pressure shaft seal for Sunfab motor SAE-C	1
41	D002132	shaft Washer for Sunfab motor SAE-C	1
42	D002133	Snap Ring for Sunfab motor SAE-C	1
43	060183	Lip Seal Output - Exterior -60 x 90 x 8	1
44	240567	Seal Protector - exterior output	1
45	P2022	1 x 2.25" Swing snap ring pin, greaseable	1
46	HGW30R-43	Tank top	1

**PROPRIETARY AND CONFIDENTIAL**  
 THE INFORMATION CONTAINED IN THIS DRAWING IS THE SOLE PROPERTY OF MTB MFG INC. ANY REPRODUCTION IN PART OR AS A WHOLE WITHOUT THE WRITTEN PERMISSION OF MTB MFG INC IS PROHIBITED.



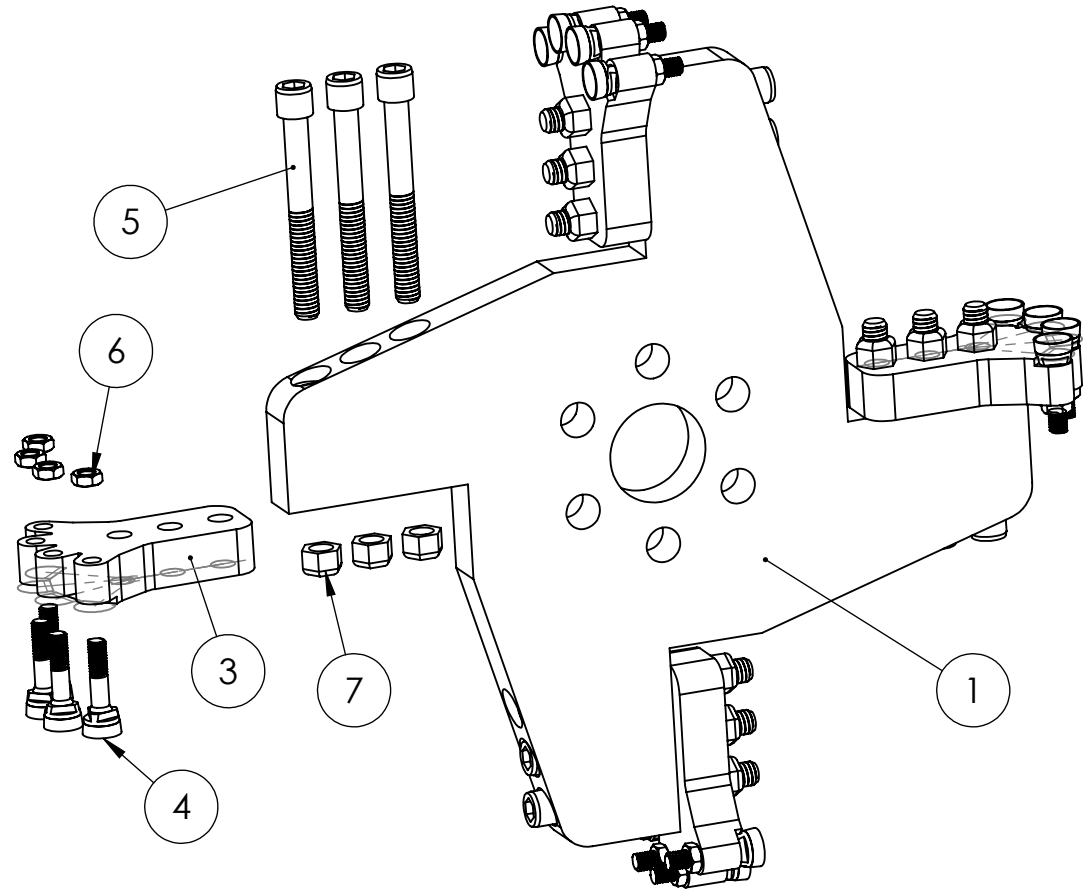
Description

Weight

DATE

DO NOT SCALE DRAWING

SHEET 2 OF 5



ITEM NO.	PART NUMBER	DESCRIPTION	QTY.
1	D002493		1
2	TOOTH holder assembly		
3	AR400 D002494	4 - 3/8 teeth holder	4
4	G3000	3/8" Green Tooth	16
5	D002930	1/2 Allen bolt	12
6	D001625	3/8" nut	16
7	D003328	1/2" lock Nut	12

**PROPRIETARY AND CONFIDENTIAL**

THE INFORMATION CONTAINED IN THIS DRAWING IS THE SOLE PROPERTY OF MTB MFG INC. ANY REPRODUCTION IN PART OR AS A WHOLE WITHOUT THE WRITTEN PERMISSION OF MTB MFG INC IS PROHIBITED.



Description

30 Hp rotor

Weight lbs.

DATE  
11/17/2014

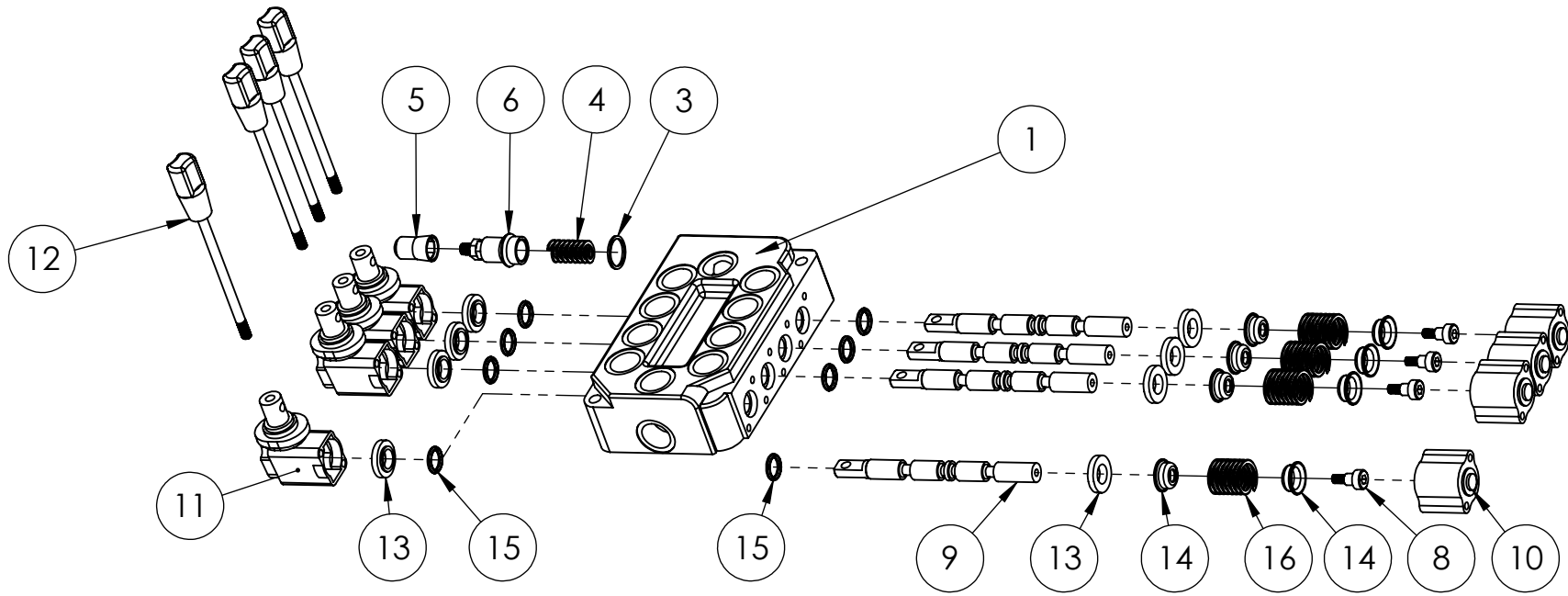
DWG. NO.

REV  
A

DO NOT SCALE DRAWING

SCALE: 1:10 SHEET 3 OF 5

**D002495**



ITEM NO.	PART NUMBER	DESCRIPTION	QTY.
1	H2081	4 Lever Valve	1
2	Release Valve	Sub Components	1
3	H2086	Relief Valve Washer	1
4	SWF6-15	Relief Valve Spring	1
5	H2090	Plastic Valve Cover	1
6	H2087	System Relief Valve	1
7	Sub Valve Parts	Small Part	4
8	F2004	Plunger Bolt	1
9	H2076	Plunger	1
10	H2074	Plunger Cover	1
11	H2073	Pivot Block	1
12	H2089	Pivot Arm	1
13	H2075	Plunger Washer	2
14	H2077	Spring Sleeve	2
15	H2084	Plunger Seal	2
16	SWF6-15	Plunger Spring	1

**PROPRIETARY AND CONFIDENTIAL**  
 THE INFORMATION CONTAINED IN THIS DRAWING IS THE SOLE PROPERTY OF MTB MFG INC. ANY REPRODUCTION IN PART OR AS A WHOLE WITHOUT THE WRITTEN PERMISSION OF MTB MFG INC IS PROHIBITED.



Description

4 Lever Valve

Weight lbs.

DATE  
6/4/2007

DWG. NO.

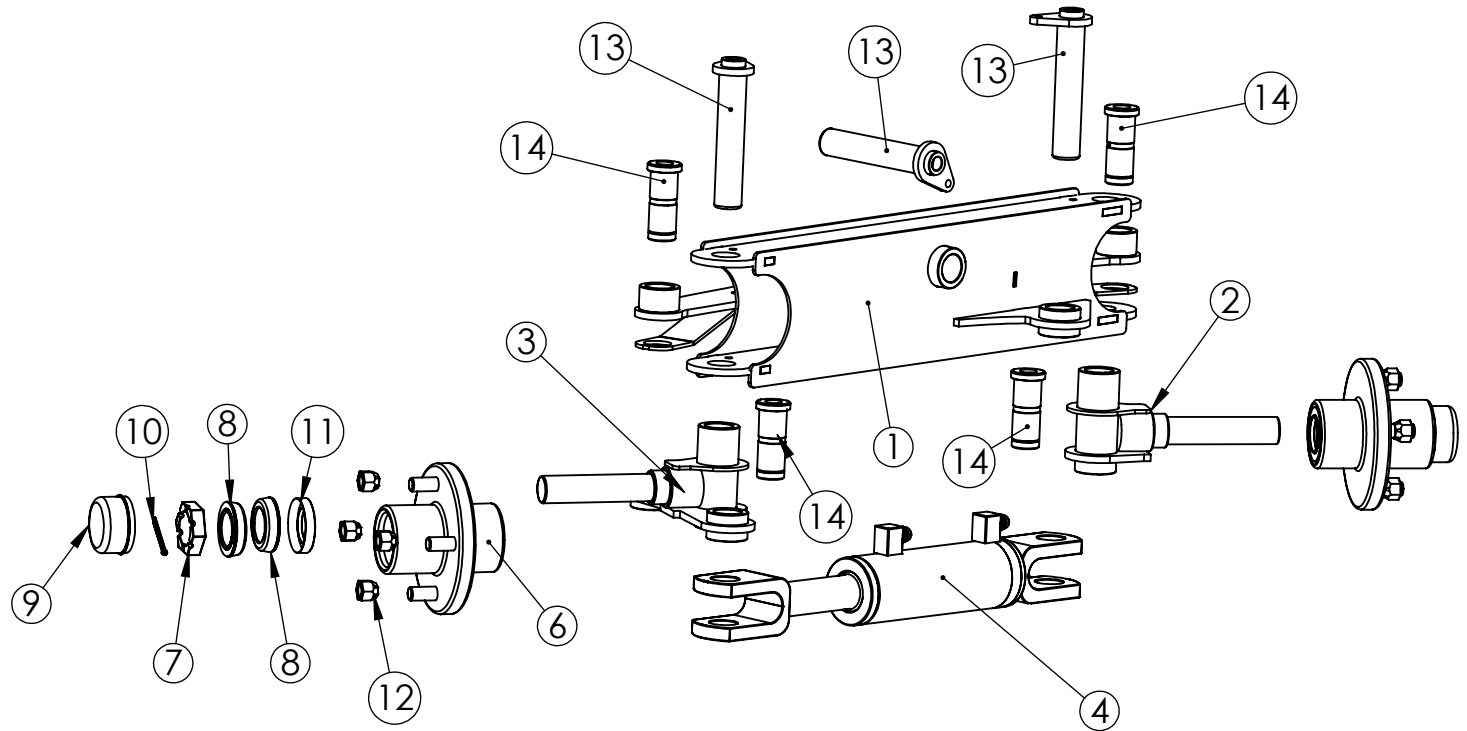
REV  
A

DO NOT SCALE DRAWING

SCALE: 1:5

SHEET 4 OF 5

**H2092**



ITEM NO.	PART NUMBER	DESCRIPTION	QTY.
1	D001932	Rocking bolster	1
2	D001951	Stub shaft assem	1
3	D001952	Assem	1
4	T1000	T1000 CYLINDER	1
5	G2038	4 Bolt Hub Assembly	2
6	G2034	4 Bolt Hub	1
7	G2020	Spindle Nut	1
8	G2023	Tapered Hub Bearing	2
9	G2022	Dust Cap	1
10	G2019	Spindle Pin	1
11	G2021	Grease Seal	1
12	G2018	Wheel Nut	4
13	D001028	1 x 5" Flange Pin	3
14	P2022	1 x 2.25" Swing snap ring pin, greaseable	4

**PROPRIETARY AND CONFIDENTIAL**  
 THE INFORMATION CONTAINED IN THIS DRAWING IS THE SOLE PROPERTY OF MTB MFG INC. ANY REPRODUCTION IN PART OR AS A WHOLE WITHOUT THE WRITTEN PERMISSION OF MTB MFG INC IS PROHIBITED.



Description

Front axel assembly

Weight lbs.

DATE

3/2/2013

DWG. NO.

REV

DO NOT SCALE DRAWING

SCALE: 1:20

SHEET 5 OF 5

**D001950**

**A**